

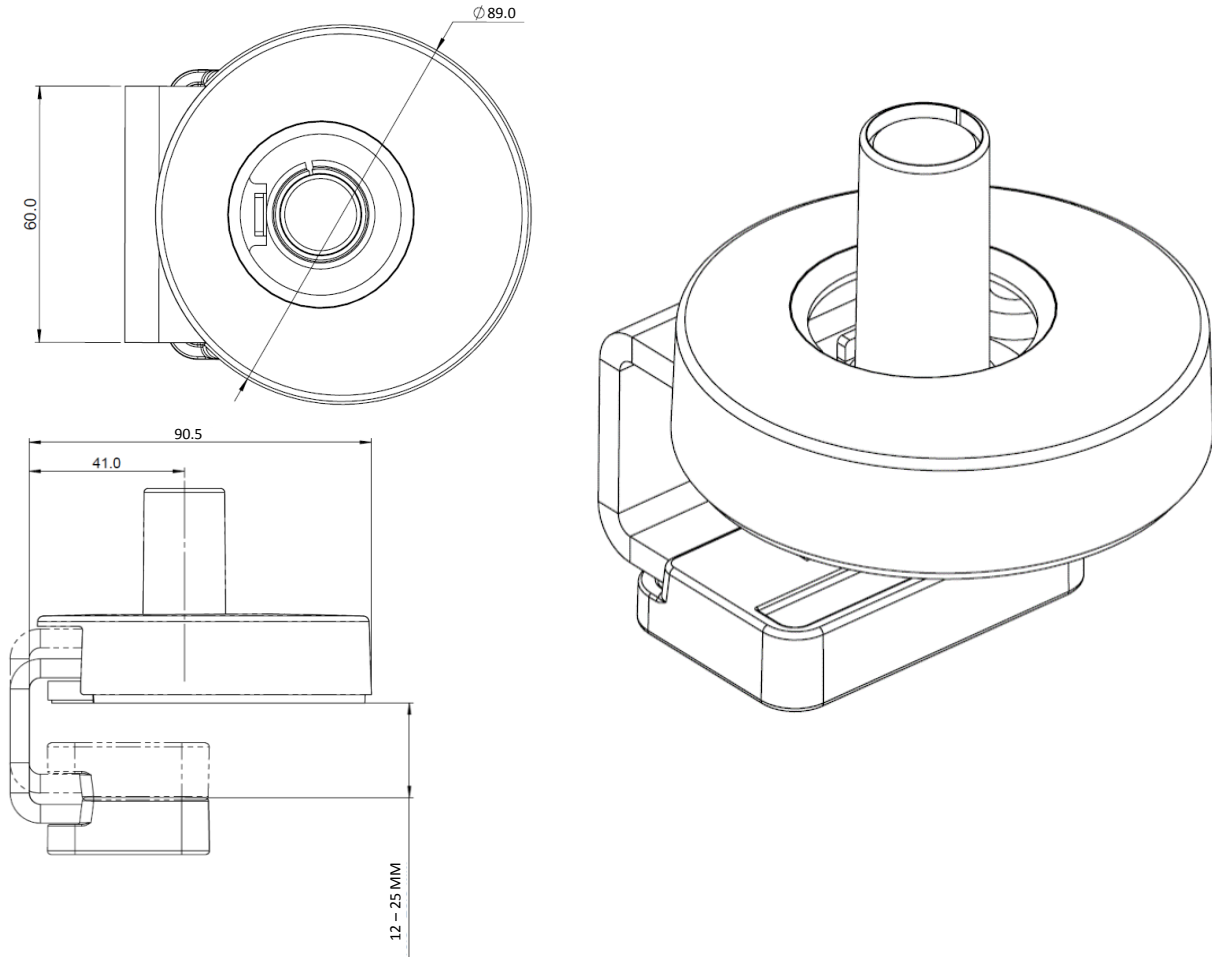


## TECHNICAL SPECIFICATION SHEET

**PRODUCT NAME:** Flo Top Mount Clamp

**PRODUCT CODE:** DYN/013/C25

Doc Rev 1. 27.03.15. CF



\*Note dimensions provided are measured in mm

### KEY FEATURES

- Suitable for desk thickness of 12 -25mm
- Soft pads protects work surface from damage
- Configurable 180° stop system
- Top access screw position permits easy fitting from above-desk position
- Attractive cover conceals fixing screws

**Product Classification** Brackets, Clamps and Fixings

**Max load** 9kg (19.8lb)

**Build level** #A

**Recycled content** 23%

**Total product recyclable** 100%

## LOGISTICAL

---

<b>Bag contains</b>	Top Mount Clamp, Fixings
<b>Product net weight:</b>	0.6kg
<b>Bag dims (HxWxD)</b>	90 x 90 x 90 mm (packed in poly bag)
<b>Bag gross weight</b>	0.6kg
<b>Carton quantity</b>	30
<b>Master dims (HxWxD)</b>	505 x 290 x 220 mm
<b>Master weight</b>	18.5 kg
<b>Country of origin</b>	China
<b>Country of configuration</b>	UK

## ORDERING INFORMATION

---

<b>Colour</b>	<b>Product code</b>	<b>EAN</b>
Silver	DYN/013/C25/S	5060270820604
White	DYN/013/C25/W	5060270820598
Black	N/A	N/A

## WARRANTY

---

<b>Warranty Term</b>	Limited lifetime
----------------------	------------------

## COMPLIANCE & SAFETY CERTIFICATION

---

Whilst no mandatory standards apply to the monitor arm product sector, all Colebrook Bosson Saunders monitor arms have been designed with appropriate articulation features, dimensional range and adjustability to conform to the requirements of BS EN ISO 9241:5 1999 Ergonomic requirements for office work with visual display terminals (VDTs).

<b>Conformance certification</b>	N/A
<b>Test authority</b>	CBS
<b>Safety certification</b>	N/A

## ENVIRONMENTAL

---

<b>Material type</b>	<b>Material type Weight</b>	<b>% PIR of total weight</b>	<b>% PCR of total weight</b>	<b>% of total product recyclable</b>
Aluminium Die Cast	0g	0%	0%	0%
Plastic	40.4g	0.33%	0.33%	6.52%
Rubber	5.3g	0%	0%	0.86%
Steel	573.7g	0%	23.16%	92.62%
Other	0g	0%	0.00%	0%
<b>Total</b>	<b>619.4g</b>	<b>0.33%</b>	<b>23.48%</b>	<b>100.00%</b>

## CLEANING, STORAGE & MAINTENANCE

---

<b>Routine servicing</b>	Periodic inspection
<b>Service components</b>	Available to order
<b>Cleaning &amp; Maintenance</b>	Damp cloth, no abrasives, no solvents to be used on the cosmetic surfaces
<b>Handling &amp; Storage</b>	Do not drop or expose to moisture

---

Colebrook Bosson Saunders (Products) Ltd accept no liability for the accuracy of the information contained herein and retain the right to modify the specifications or data contained herein without prior notification.