



TECHNICAL SPECIFICATION SHEET

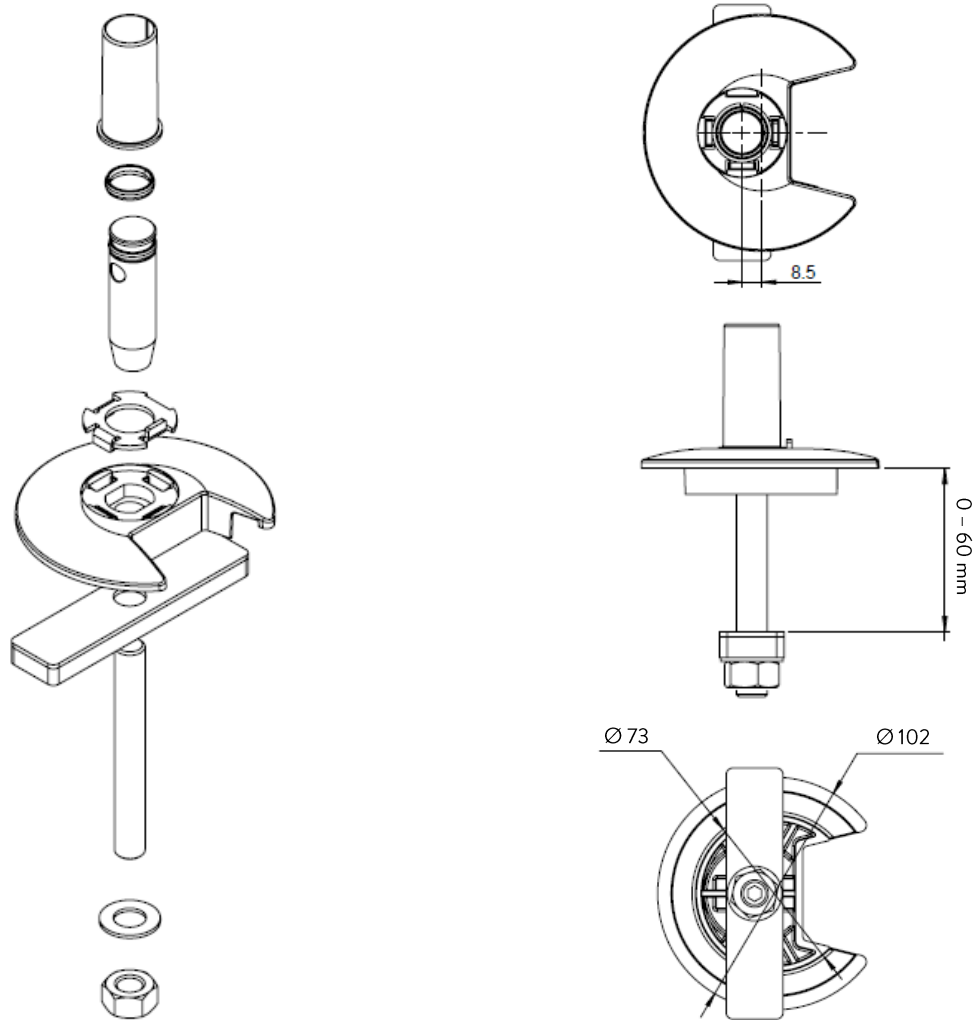
PRODUCT NAME: Flo Grommet Mount

PRODUCT CODE: DYN/013/CSG100

Doc Rev 1

Product Rev: #A

12.07.2016 LE



*Note that dimensions provided are measured in mm

KEY FEATURES

- Mounts Flo arm into standard cable grommet hole
- Rounded contours will not damage cable
- Suitable for desk thickness of 0-60mm
- Suitable for standard 3" / 75mm diameter grommet hole
- Includes 90° and 180° stop function to accommodate grommet holes situated in either corner of the desk

Product Classification	Brackets, Clamps & Fixings
Max load	9 kg (19.8 lbs)
Total recycled content	25.65%
Total product recyclable	100%

LOGISTICAL

Box contains	Cast grommet, fixing stud, spigot, 180/90 degree stop, bar, washer, nut, instructions
Product net weight:	0.63kg
Box dims (HxWxD)	140 x 120 x 32 mm
Box gross weight	0.69kg
Carton quantity	24 pcs
Master dims (HxWxD)	285 x 255 x 225 mm
Master weight	17.38kg
Country of origin	China
Country of configuration	UK

ORDERING INFORMATION

<u>Product Description</u>	<u>Product code</u>	<u>Colour</u>
Flo Grommet Mount	DYN/013/CSG100	:/S Silver or :/W White

WARRANTY

Warranty Term	Limited lifetime
----------------------	------------------

COMPLIANCE & SAFETY CERTIFICATION

Whilst no mandatory standards apply to the monitor arm product sector, all Colebrook Bosson Saunders monitor arms have been designed with appropriate articulation features, dimensional range and adjustability to conform to the requirements of BS EN ISO 9241:5:1999 Ergonomic requirements for office work with visual display terminals (VDTs).

Conformance certification	N/A
Test authority	CBS
Safety certification	N/A

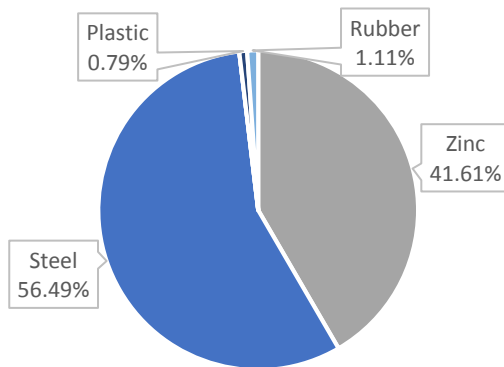
ENVIRONMENTAL

Material Make-up			Total Recycled Content	Breakdown of Recycled Content		Total Recyclable	
Overall Product			Overall Product			Overall Product	
Material type	Total Material type weight (g)	Percentage of Total Product Weight (%)	Material-Type Recycled Content (%)	Percentage PIR of total weight (%)	Percentage PCR of total weight (%)	Total Product Recyclable (g)	Total Product Recyclable (%)
Zinc	263	41.61%	18.31%	9.16%	9.16%	263	41.61%
Steel	357	56.49%	7.34%	1.25%	6.09%	357	56.49%
Plastic	5	0.79%	0.00%	0.00%	0.00%	5	0.79%
Rubber	7	1.11%	0.00%	0.00%	0.00%	7	1.11%
Total	632	100.00%	25.65%	10.40%	15.25%	632.00	100.00%

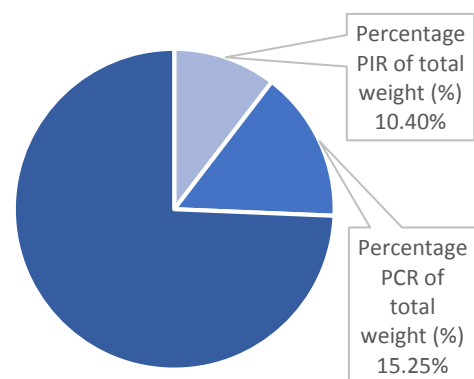
PIR = Post Industrial Recycled

PCR = Post Consumer Recycled

Total Product Weight (%)



Total Product Recycled Content (%)



CLEANING, STORAGE & MAINTENANCE

Routine servicing

Periodic inspection

Service components

Available to order

Cleaning & Maintenance

Damp cloth, no abrasives, no solvents to be used on the cosmetic surfaces

Handling & Storage

Do not drop or expose to moisture

While every effort is made to ensure the accuracy of our technical information, Colebrook Bosson Saunders (Products) Ltd accept no liability for the accuracy of the information contained in this document and reserve the right to modify the specifications or data contained herein without prior notification.