



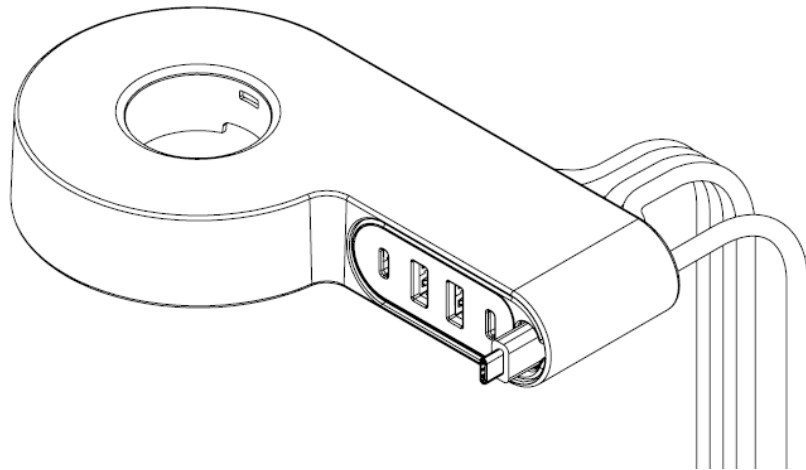
## PRODUCT CONFIGURATION SHEET

**PRODUCT NAME:** Ondo Connectivity Module – Clamp Configuration

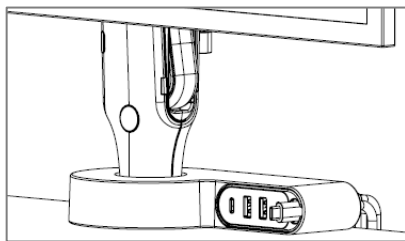
**PRODUCT CODE:** Mixed Kit Codes

Doc Rev1.

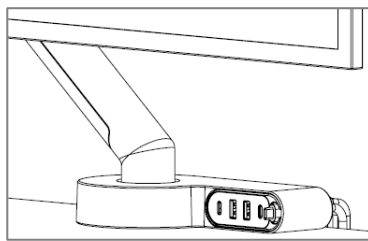
25.01.2021 KO



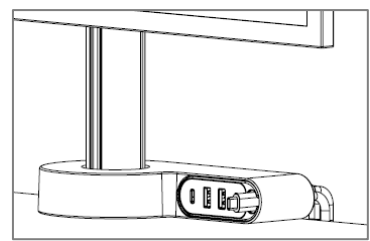
The Ondo Clamp Mount configuration is compatible with CBS Ollin, Flo and Lima monitor arms:



Ondo with Ollin Monitor Arm



Ondo with Flo Monitor Arm

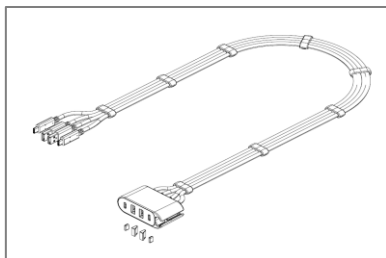


Ondo with Lima Monitor Arm

This product configuration is made up of the following Ondo parts:

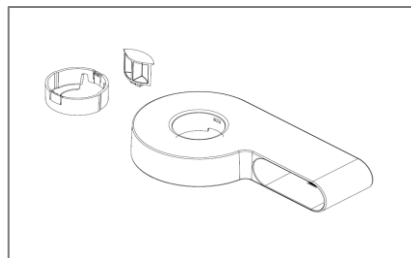
OND/001/001/B Ondo Connectivity Module – 2 USB-C, 2 USB-A. Black.

OND/001/M01/X Ondo – Clamp Mount for Flo, Ollin, Lima.



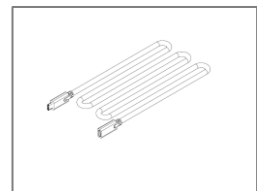
OND/001/001/B

+



OND/001/M01/X

Optional:



OND/001/A01/B

Optional Components:

OND/001/A01/B Ondo – Laptop Cable USB-C, 1m. Black.

## KEY FEATURES

---

Ondo seamlessly integrates into a CBS monitor arm to extend the connections of an under-desk laptop dock to a conveniently accessible desktop location.

Permits quick and convenient connection of a laptop to the workstations 'permanent' installations, e.g. monitors, power supply, networks, etc. Also offers USB charging and connectivity of mobile devices such as phones and tablets.

- Integrates into CBS monitor arm mounts, offering conveniently accessible desktop connections whilst occupying minimal desktop space.
- Works in conjunction with third-party docking stations with USB-A and USB-C ports.
- Can be retro-fitted into existing CBS monitor arm installations
- Third-party docking station can be stored tidily within under-desk cable tray or basket. Alternatively, it can be mounted to the underside of the desk using CBS's new Loop Micro Device Mount - CPU/022/B (see Appendix A at the end of this bulletin)
- Includes blanking plugs for unused connector ports
- Colour Options: Black, Light Grey (to match white arms), Dark Grey (to match silver/grey arms.) Note that module fascia is always black.

<b>Fascia Ports:</b>	2 x USB-A Ports: USB-A 3.0, 5Gbps. Supports charging 5V, 1.8A max. Female socket to 1.3m cable to male connector. 2 x USB-C Ports: USB-C, 3.1 Gen 1, 5Gbps. Supports charging 5V, 1.8A max. Female socket to 1.3m cable to male connector.
<b>Optional Laptop Cable:</b>	USB-C, 3.1 Gen 2, 10Gbps. Power delivery 2.0 capable, 60W max. Female socket to 1m cable to male connector.

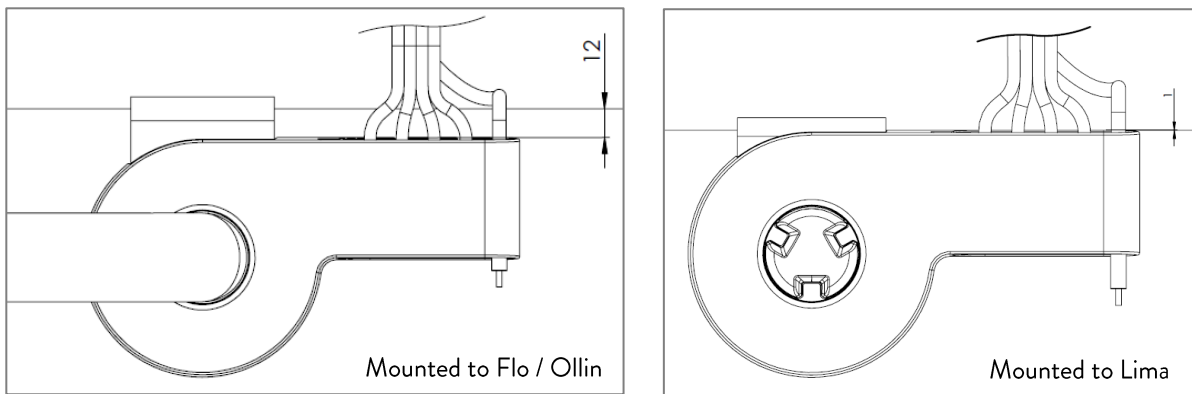
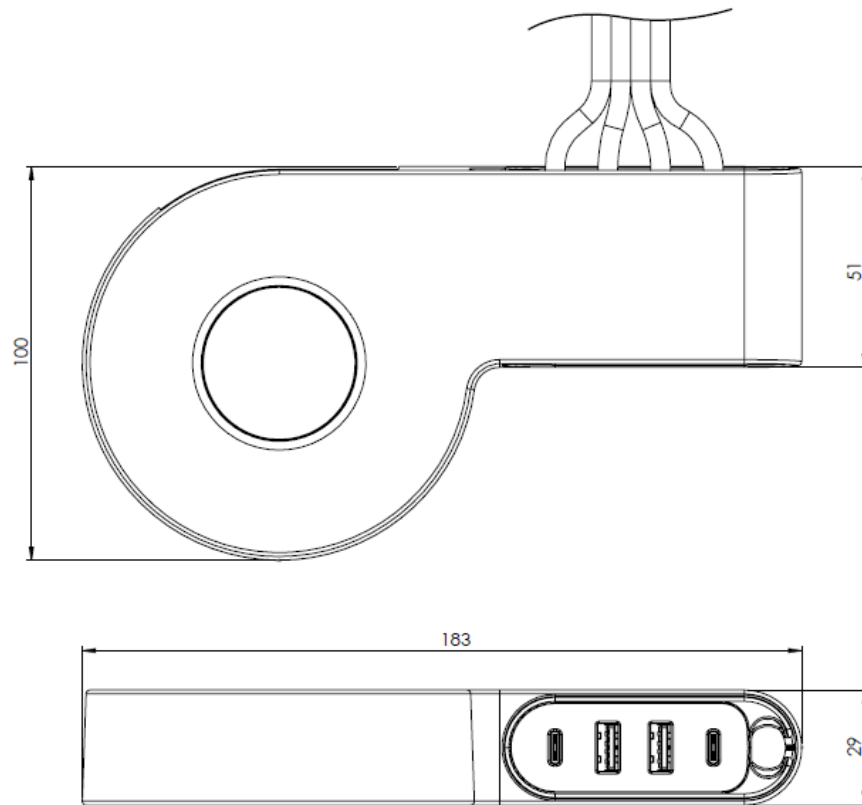
## WARRANTY

---

<b>Warranty Term</b>	5 years
----------------------	---------

## KEY DIMENSIONS

---



Approximate mounting distance from back edge of worksurface

Note: all dimensions are in mm

## **CLEANING, STORAGE & MAINTENANCE**

---

<b>Routine servicing</b>	Periodic inspection
<b>Service components</b>	Available to order
<b>Cleaning &amp; Maintenance</b>	Damp cloth, no abrasives, no solvents to be used on the cosmetic surfaces
<b>Handling &amp; Storage</b>	Do not drop or expose to moisture

---

While every effort is made to ensure the accuracy of our technical information, Colebrook Bosson Saunders (Products) Ltd accept no liability for the accuracy of the information contained in this document and reserve the right to modify the specifications or data contained herein without prior notification.